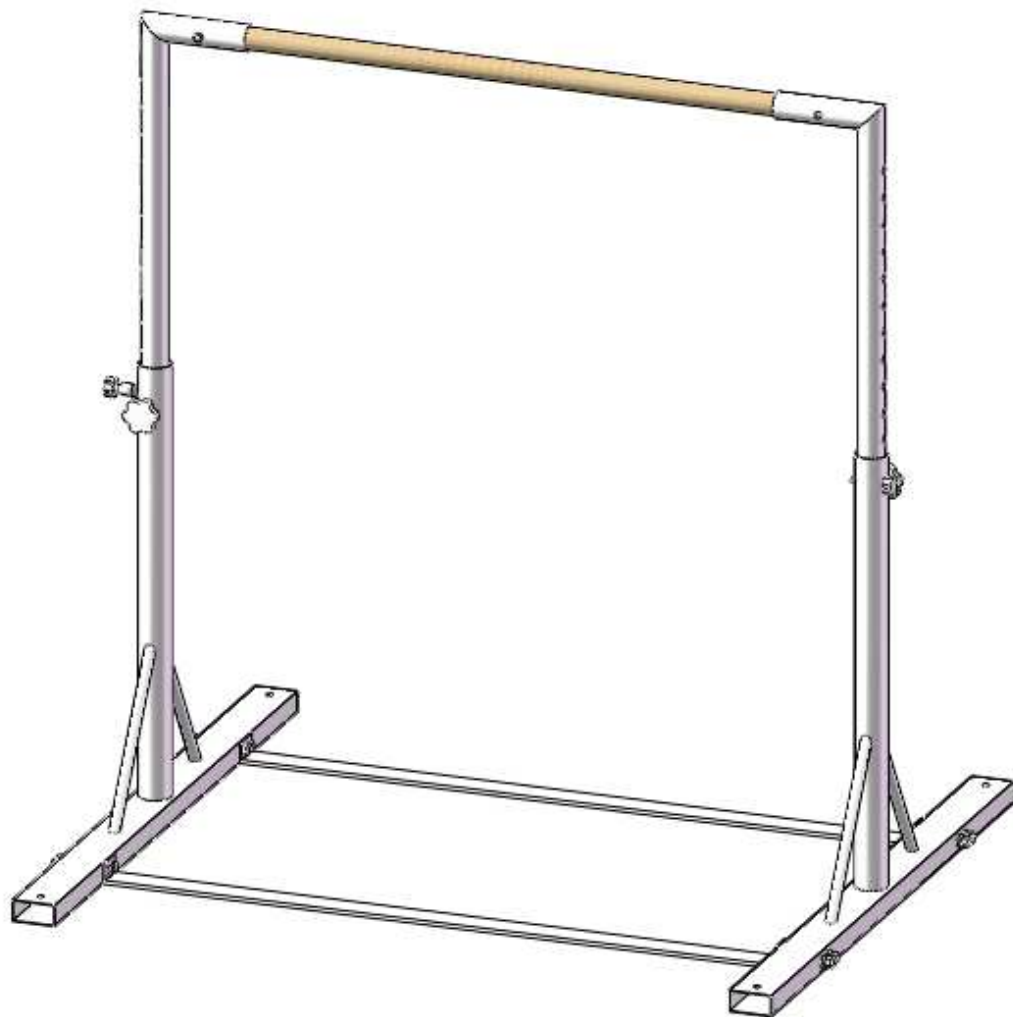
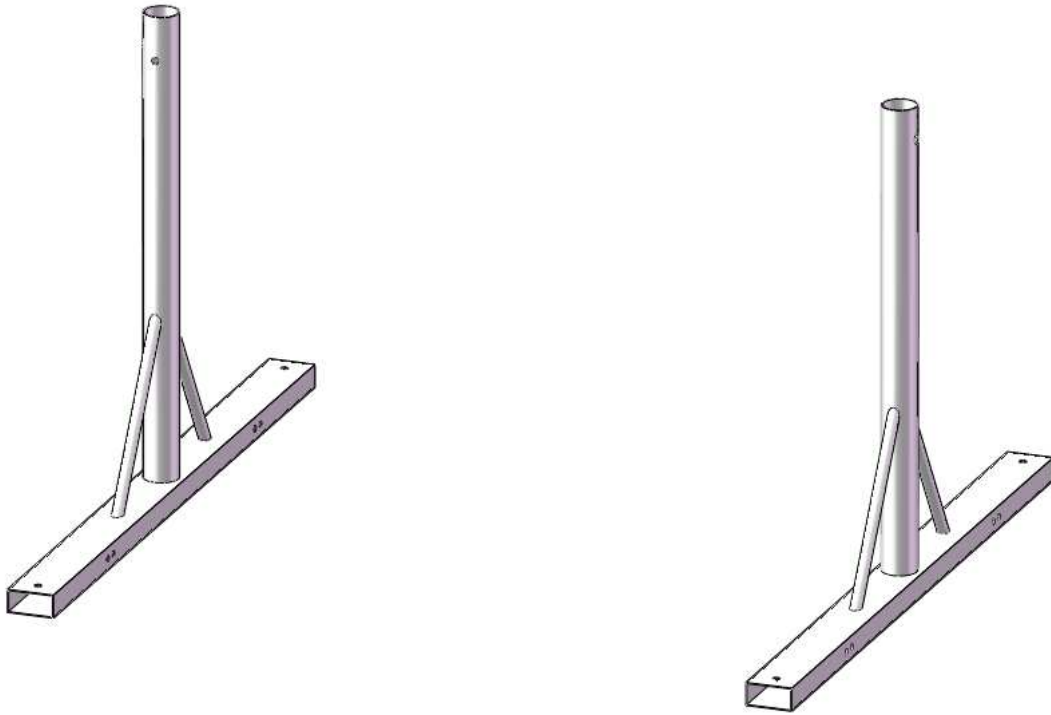


HIGH FLY BAR LITE INSTRUCTION



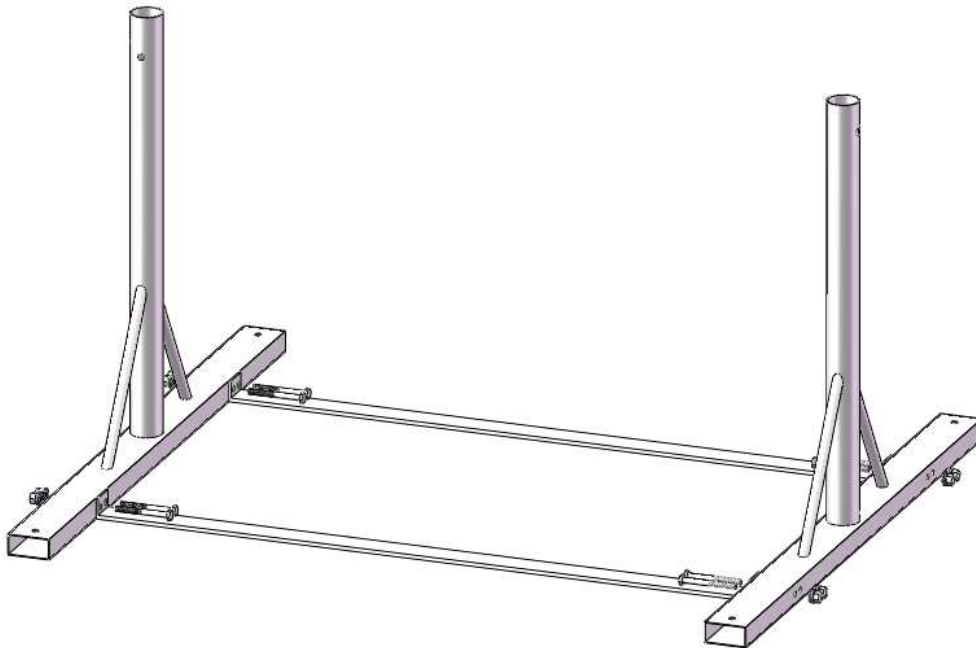
Step 1: Prepare posts as drawing below



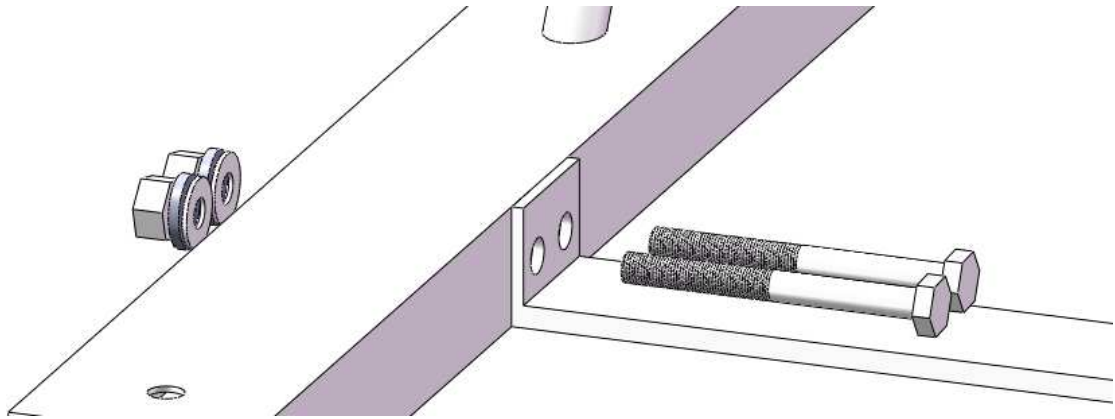
Step 2: Prepare the steel straps, long bolts and screw put like photo below

Fasten the long bolts with steel strap into the post like 2-1, and do again the other side like 2-1

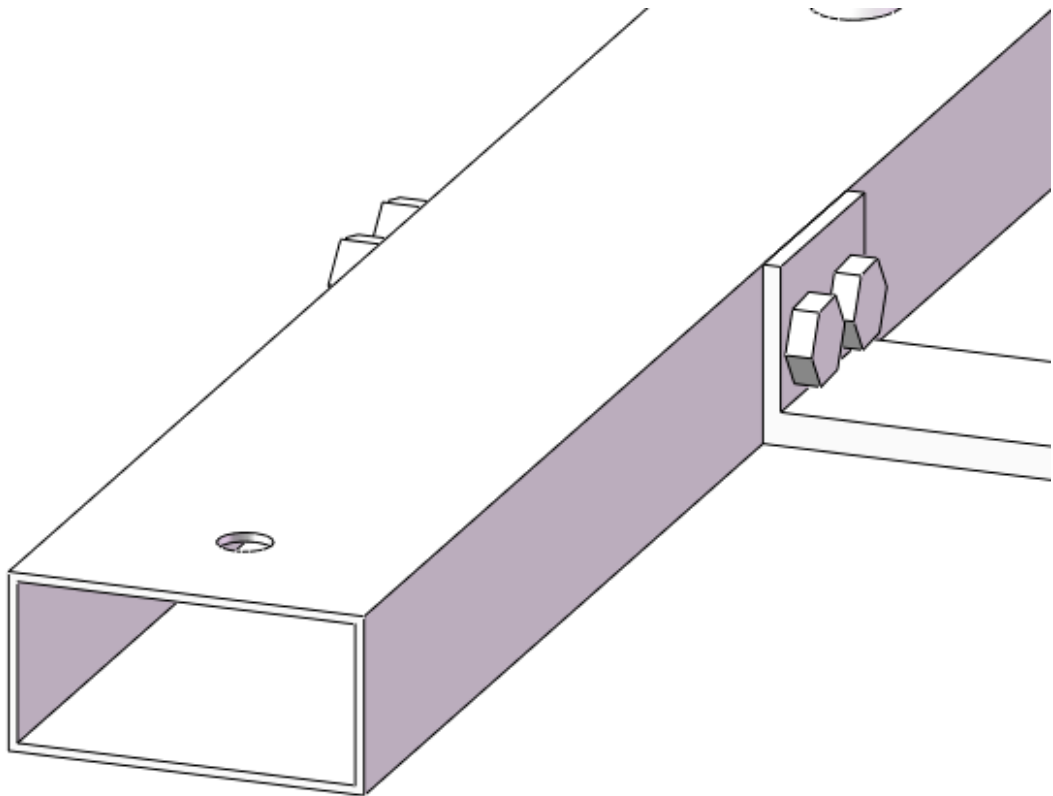
After fix the screw and bolts like 2-2



2-1



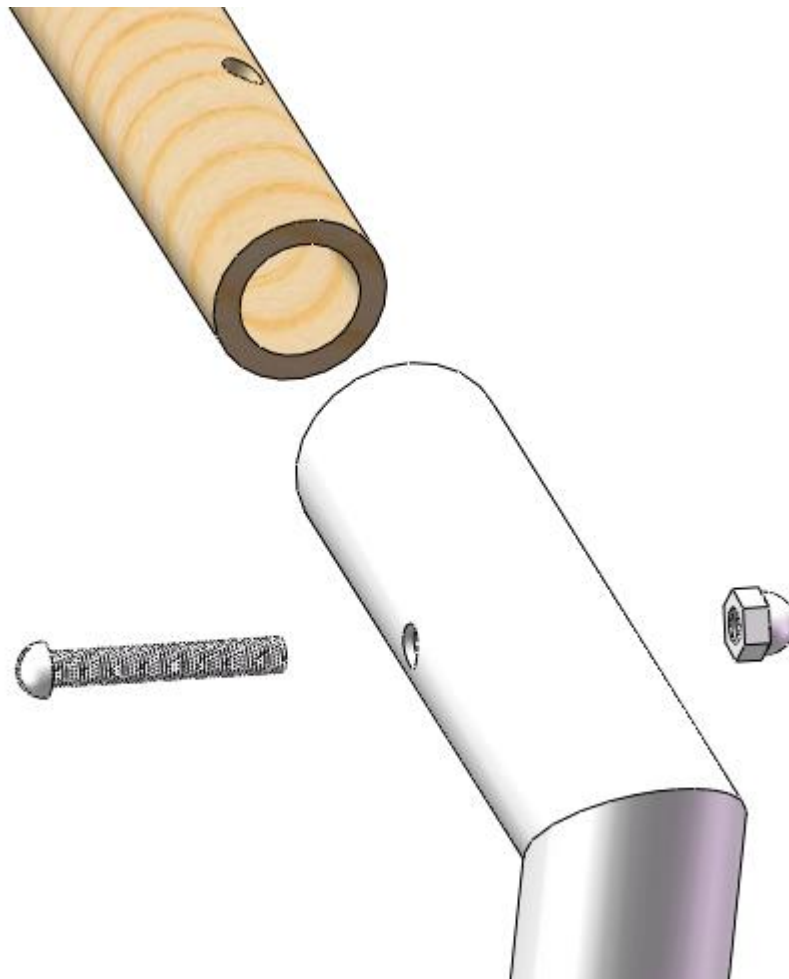
2-2



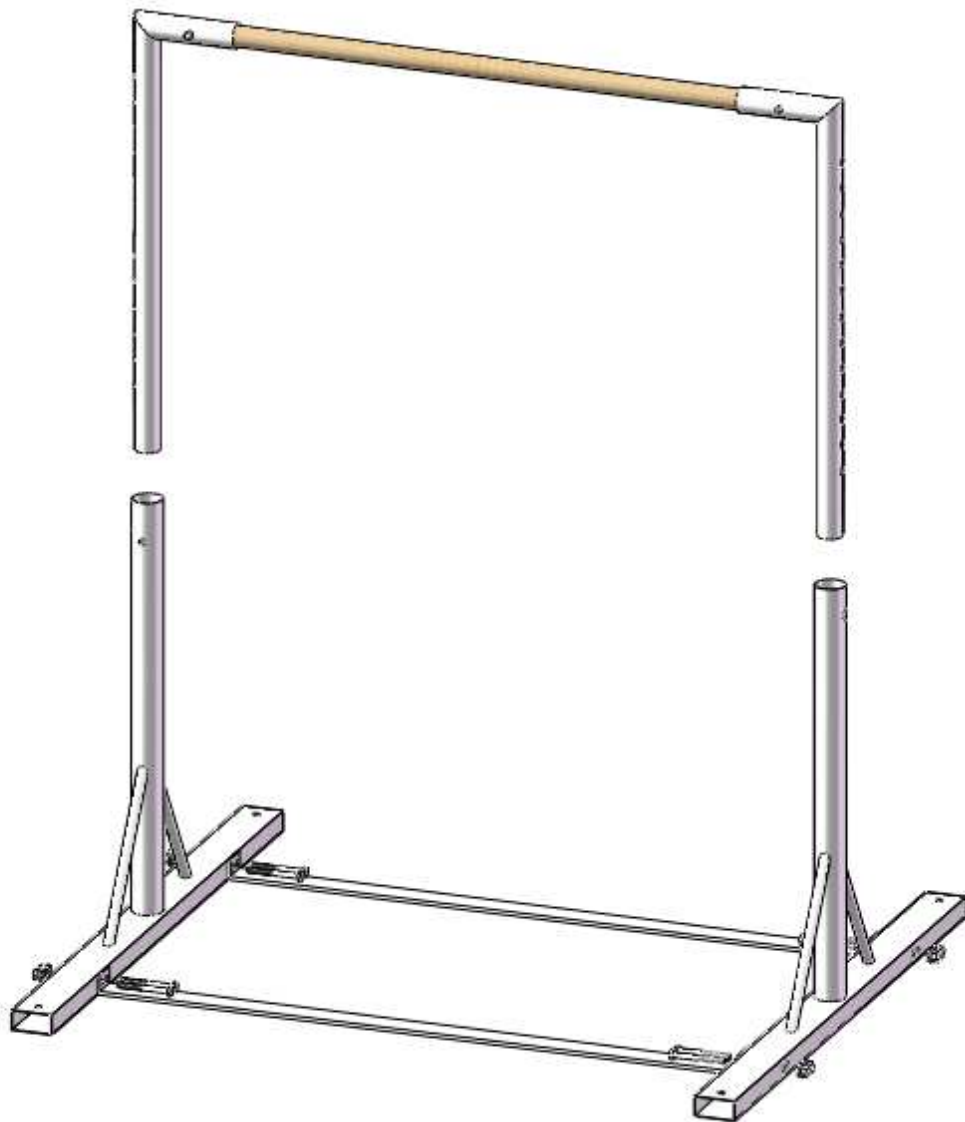
Step 3: Prepare the bar and height adjustable tubes as below



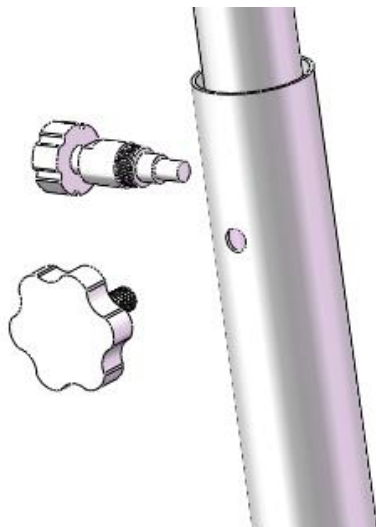
Step 4: Fasten the thinner long bolt with screw into the cross bar and height adjustable pipe like below



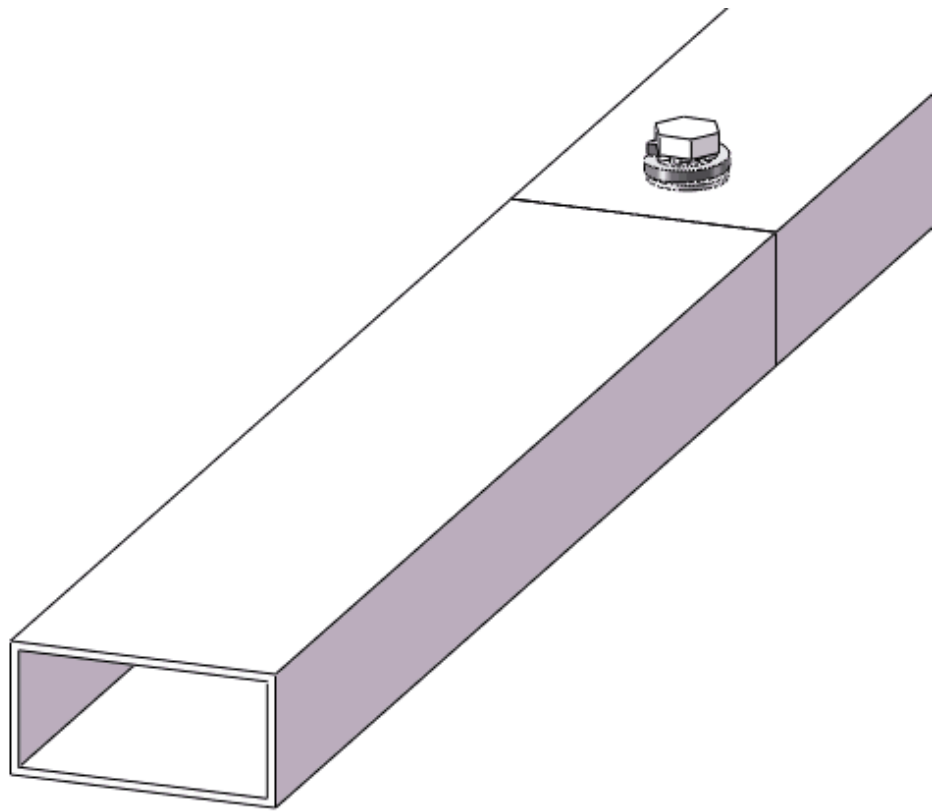
Step 5: Prepare the parts after installed like below



Step 6: Inserting the two different size knobs into the post like drawing below



Step 7:install all 4 extensions with bolts and screw like photo below



Warning

- Please keep the equipment away from humid environment to prolong the life time.
- This equipment must be used with proper mats, spotting equipment, and qualified spotters for each activity or skill.
- Know your limitations as well as the limitations of your equipment. Consult a qualified instructor before attempting any new activity or skill.
- Do not attempt to repair damaged or worn equipment or components yourself. Contact the manufacturer to arrange for proper repair or replacement by a qualified professional.
- Test unit for stability prior to each use. Do not use it if you have any concerns about the stability, condition or suitability of this equipment.
- Inspect each component for damage, loose fittings or signs of wear before each use. Do not use if you have any concerns as to the condition of this equipment.
- Use this equipment only for its intended purpose. Do not modify equipment in any way.
- Before each subsequent use, re-check stability and settings of this equipment.
- Remember that no equipment can eliminate the possibility of injuries.
- This equipment is to be used only by properly trained, qualified persons under supervised conditions. Use without proper supervision is dangerous and should never be undertaken nor permitted.
- Manufacturer shall not be liable or responsible for personal injury or property damages incurred through use of this equipment.